



Viper™ Low Overrun 3 Flavor Frozen Dispenser - Tall

Specification Guide

VIPER™ LOW OVERRUN



Features

High Capacity

Surge capacity dispensing 10 (16oz) consecutive drinks per barrel with a continuous draw capacity of 75-82 fl.oz per minute

Patented Intelligent Defrost™

Manages product quality and bypasses unnecessary defrost times

Defrost Lock-Out Times

Schedule defrost lockout times to avoid down time during peak demand periods

Sleep Mode

Schedule sleep modes to conserve energy during off hours

QR Code

Quickly access service manuals and easy-to-follow training videos

C3 Technology

Cooling, carbonation, and controls provide unmatched drink profile consistency and minimizes syrup usage

Serviceability

Reduced maintenance and service times with a 0.3% out of the box failure rate

Programmable Flavor Barrels

Individual barrel flexibility and profile settings

ADA Compliant

Stainless push handle valve



MARMON
Foodservice
Technologies

A BERKSHIRE HATHAWAY COMPANY

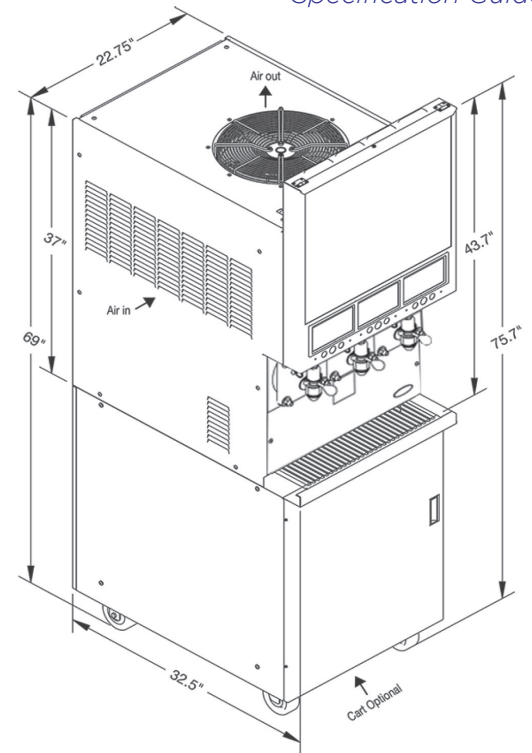


Viper™ Low Overrun 3 Flavor Frozen Dispenser - Tall

Specification Guide

Technical Specifications

Electrical Requirements	230V +/- 15V 60Hz, 30a, single phase <i>Includes 8ft. power NEMA L6-30P molded plug connection.</i>
Pressure Requirements	CO2 = 75 psig Water = 25 min psig dynamic
Draw Capacity	75-82 oz/min continuous, alternating barrels @ 75° F (24°C)
Refrigeration	19,000 BTU, R448A
Minimum Clearance Requirements	Top: 12" (305mm) Both Sides: 2" (51mm) -or- Back: 2" (51mm) <i>for temperatures < 90°F (32°C)</i>
Unit Dimensions	22.75"W x 32.5"D x 43.7"H (577.85mm x 825.5mm x 19.8mm)
Graphic Card Dimensions	22.5"W x 18.75"H (571.5mm x 8.5mm)
Flavor Card Dimensions	6.5"W x 4"H (165.1mm x 101.6mm)
Unit Weight	465lbs (211kg)
Shipping Weight	Unit: 500lbs (227kg) Cart: 200lbs (91kg)
Agency Listing	 



Model Number	Description
621366242LO	Viper Low Overrun 3 Barrel, 60Hz, R448A, Air Cooled, Full-travel Motorman Valves, Tall Merchandiser, N. American Power Cord
<i>Not all configurations are available - please contact a Cornelius® expert for additional information</i>	

Accessories Number	Description
629087406	Leg kit, 4" Height (order 4 per unit)
620053990	Viper 3 barrel cart, stainless steel
620046410	Viper 3 barrel generic graphic for tall merchandiser
620042868	Generic flavor card set (includes 18 flavors)
620051378	Coke flavor card set
620051379	Pepsi flavor card set
620067479	Pre-wired buck boost transformer
629096928	Viper 3 barrel installation kit
621058482	Viper 3 barrel pre-plumbed cart
326002000	Drain kit for drip tray
<i>Refer to Installation Manual for required installation materials - A Buck/Boost transformer is recommended for most installations</i>	

To learn more and see **Viper™** in action, visit cornelius.com
To contact a Cornelius® expert today, visit cornelius.com/contact-us