



Viper™

3 Flavor Frozen Dispenser - Short

Specification Guide

VIPER™



Features

High Capacity

Surge capacity dispensing 10 (16oz) consecutive drinks per barrel with a continuous draw capacity of 75-82 fl.oz per minute

Patented Intelligent Defrost™

Manages product quality and bypasses unnecessary defrost times

Defrost Lock-Out Times

Schedule defrost lockout times to avoid down time during peak demand periods

Sleep Mode

Schedule sleep modes to conserve energy during off hours

Remote Condenser

Remote and air-cooled condenser options available

QR Code

Quickly access service manuals and easy-to-follow training videos

C3 Technology

Cooling, carbonation, and controls provide unmatched drink profile consistency and minimizes syrup usage

Serviceability

Reduced maintenance and service times with a 0.3% out of the box failure rate

Programmable Flavor Barrels

Individual barrel flexibility and profile settings

ADA Compliant

Stainless push handle valve



MARMON
Foodservice
Technologies

A BERKSHIRE HATHAWAY COMPANY



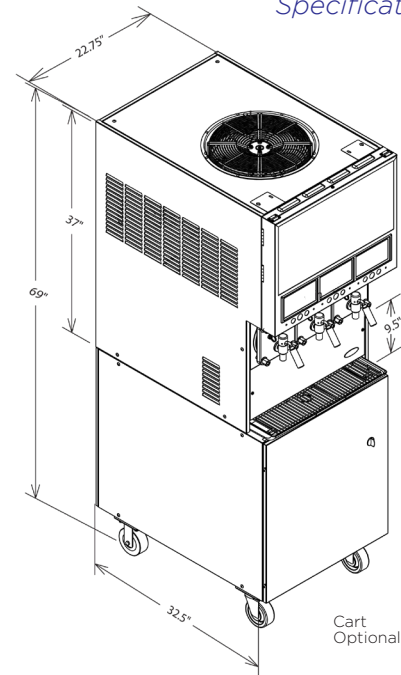
Viper™

3 Flavor Frozen Dispenser - Short

Specification Guide

Technical Specifications

Electrical Requirements	230V +/- 15V 60Hz, 30A, Single Phase 230V +/- 15v 50Hz, 30A, Single Phase
	<i>Includes 8ft. power NEMA L6-30P molded plug connection. Part Numbers ending in "EU" and 50Hz SKU's include 8ft. power cord IEC60309 32Amp molded plug connections. Part numbers ending in "AU" include 56PA332 plug</i>
Pressure Requirements	CO2 = 75 psig Water = 25 min psig dynamic
Draw Capacity	75-82 oz/min continuous, alternating barrels @ 75° F (24°C)
Refrigeration	19,000 BTU, R404A
Minimum Clearance Requirements	Top: 12" (305mm) Both Sides: 2" (51mm) -or- Back: 2" (51mm) for temperatures < 90°F (32°C)
Unit Dimensions	22.75"W x 32.5"D x 37"H (577.85mm x 825.5mm x 939.8mm)
Graphic Card Dimensions	22.5"W x 11.79"H (571.5mm x 299.5mm)
Flavor Card Dimensions	6.5"W x 4"H (165.1mm x 101.6mm)
Unit Weight	Unit: 440lbs (199.6kg)
Shipping Weight	Unit: 465lbs (210.92kg) Cart: 175lbs (79.4kg)
Agency Listing	60 Hz
	50 Hz



Model Number	Description
621360141	Viper 3 Barrel, 60Hz, R404A, Air Cooled, Stainless Push Handle Valve (SPH), Short Merchandiser, N. American Power Cord
621360041	Viper 3 Barrel, 60Hz, R404A, Air Cooled, Motorman Valve, Short Merchandiser, N. American Power Cord
621350041	Viper 3 Barrel, 50Hz, R404A, Air Cooled, Motorman Valve, Short Merchandiser, N. American Power Cord
621362141	Viper 3 Barrel, 60Hz, R404A, Remote Condensing Dispenser, Stainless Push Handle Valve (SPH), Short Merchandiser, N. American Power Cord
621352041AU	Viper 3 Barrel, 50Hz, R404A, Remote Condensing Dispenser, Motorman Valve, Short Merchandiser, Australian Power Cord

Not all configurations are available - please contact a Cornelius® expert for additional information - For FUB, Motorman Valves are recommended
 Note: A Remote Condenser* is required for any Viper Remote Condensing Dispenser installation (please contact Cornelius for additional information) - Additionally, one of the two line set options from the table below (marked with**) must also be ordered.

This equipment is prohibited from use in California in accordance with the California Code of Regulations, title 17, section 95374 and in Colorado, Delaware, Maryland, Massachusetts, New Jersey, New York, Vermont, and Washington and is expected to be prohibited in Virginia by July 1, 2021. This disclosure statement has been reviewed and approved by Marmon Foodservice Technologies, and Marmon Foodservice Technologies attests, under penalty of perjury, that these statements are true and accurate. Consider Viper™ equipment with R448A refrigerant, if available.

Accessories Number	Description
629087406	Leg kit, 4" legs adjustable to 5.25"
620053990	Viper 3 barrel cart, stainless steel
620042868	Generic flavor card set (includes 18 flavors)
620051378	Coke flavor card set
620051379	Pepsi flavor card set
620067479	Pre-wired Buck Boost Transformer
620067108	Remote condenser*
620071967	50' line set (1) 3/8" and (1) 1/2"***
620071969	100' line set (1) 3/8" and (1) 1/2"***
629096928	Viper 3 barrel installation kit
621058482	Viper 3 barrel pre-plumbed cart
326002000	Drain kit for drip tray

Refer to Installation Manual for required installation materials - A Buck/Boost transformer is recommended for most installations

To learn more and see Viper™ in action, visit cornelius.com
 To contact a Cornelius® expert today, visit cornelius.com/contact-us