



Viper™

2 Flavor Frozen Dispenser - Tall

Specification Guide



Features

High Capacity

Surge capacity dispenses 10 consecutive 16 oz. drinks per barrel with a continuous draw of 41 to 45 fl. oz. per minute

Patented Intelligent Defrost™

Manages product quality and bypasses unnecessary defrost times

Defrost Lock-Out Times

Schedule defrost lockout times to avoid downtime during peak demand periods

Sleep Mode

Schedule sleep modes to conserve energy during off hours

QR Code

Quickly access service manuals and easy-to-follow training videos

C3 Technology

Cooling, carbonation, and controls provide unmatched drink consistency and minimizes syrup usage

Serviceability

Reduced maintenance and service times with a 0.3% out-of-the-box failure rate

Programmable Flavor Barrels

Individual barrel flexibility and profile settings

ADA Compliant

Stainless push handle valve



MARMON
Foodservice
Technologies

A BERKSHIRE HATHAWAY COMPANY

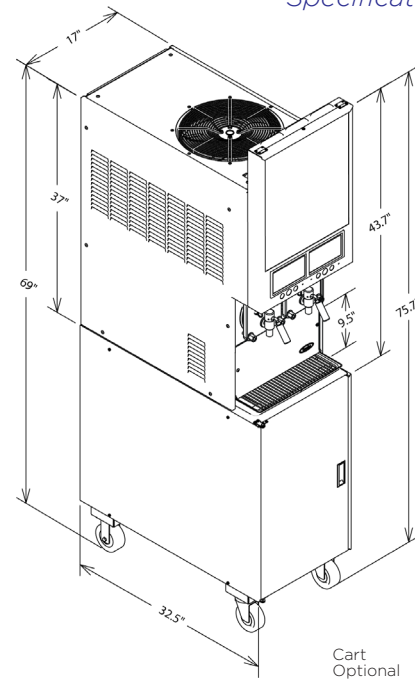


Viper™ 2 Flavor Frozen Dispenser - Tall

Specification Guide

Technical Specifications

Electrical Requirements	230V +/- 15V 50Hz, 20a, Single Phase <i>Includes 8ft. power cord IEC60309 32Amp molded plug connections</i>
Pressure Requirements	CO2 = 75 psig Water = 25 min psig dynamic
Draw Capacity	41 - 45 oz/min continuous, alternating barrels @ 75° F (24°C)
Refrigeration	13,000 BTU, R454C
Minimum Clearance Requirements	Top: 12" (305mm) Both Sides: 2" (51mm) -or- Back: 2" (51mm) <i>for temperatures < 90°F (32°C)</i>
Unit Dimensions	17"W x 32.5"D x 43.7"H (431.8mm x 825.5mm x 1109.98mm)
Graphic Card Dimensions	16.75"W x 18.75"H (425.45mm x 476.25mm)
Flavor Card Dimensions	6.5"W x 4"H (165.1mm x 101.6mm)
Unit Weight	390lbs (176.9kg)
Shipping Weight	Unit: 410lbs (186kg) Cart: 175lbs (79.4kg)
Agency Listing	50Hz



Model Number	Description
621257142	Viper 2 Barrel, 50Hz, R454C, Air Cooled, Stainless Pull Handle Valve (SPH), Tall Merchandiser, IEC Power Cord
<i>Not all configurations are available - please contact a Cornelius® expert for additional information For FUB, Motorman Valves are recommended</i>	

Accessories Number	Description
629087406	Leg kit, 4" legs adjustable to 5.25"
620043075	Viper 2 barrel cart, stainless steel
620042822	Viper 2 barrel generic graphic for tall merchandiser
620042868	Generic flavor card set (includes 18 flavors)
620051378	Coke flavor card set
620051379	Pepsi flavor card set
324674000	Buck and boost transformer
629096927	Viper 2 barrel installation kit
621056813	Viper 2 barrel pre-plumbed cart
326002000	Drain kit for drip tray
<i>Refer to Installation Manual for required installation materials</i>	

To learn more about **Cornelius Viper™**, visit cornelius.com