



SPECIALTY BEVERAGE DISPENSER

NITROPRO MINI 2290

Illustrated Parts List



Release Date: December 7, 2022

Publication Number: 721Q26434IPL

Revision Date: December 7, 2022

Revision: Rev. B

Visit web site <http://cornelius-usa.com> and create an account for all your literature needs.

The products, technical information, and instructions contained in this manual are subject to change without notice. These instructions are not intended to cover all details or variations of the equipment, nor to provide for every possible contingency in the installation, operation or maintenance of this equipment. This manual assumes that the person(s) working on the equipment have been trained and are skilled in working with electrical, plumbing, pneumatic, and mechanical equipment. It is assumed that appropriate safety precautions are taken and that all local safety and construction requirements are being met, in addition to the information contained in this manual.

This Product is warranted only as provided in Cornelius' Commercial Warranty applicable to this Product and is subject to all of the restrictions and limitations contained in the Commercial Warranty.

Cornelius will not be responsible for any repair, replacement or other service required by or loss or damage resulting from any of the following occurrences, including but not limited to, (1) other than normal and proper use and normal service conditions with respect to the Product, (2) improper voltage, (3) inadequate wiring, (4) abuse, (5) accident, (6) alteration, (7) misuse, (8) neglect, (9) unauthorized repair or the failure to utilize suitably qualified and trained persons to perform service and/or repair of the Product, (10) improper cleaning, (11) failure to follow installation, operating, cleaning or maintenance instructions, (12) use of "non-authorized" parts (i.e., parts that are not 100% compatible with the Product) which use voids the entire warranty, (13) Product parts in contact with water or the product dispensed which are adversely impacted by changes in liquid scale or chemical composition.

Contact Information:

To inquire about current revisions of this and other documentation or for assistance with any Cornelius product contact:

www.cornelius.com
800-238-3600

Trademarks and Copyrights:

This document contains proprietary information and it may not be reproduced in any way without permission from Cornelius.

This document contains the original instructions for the unit described.

MARMON FOODSERVICE TECHNOLOGIES, INC.
355 KEHOE BLVD
CAROLSTREAM IL
TEL:+1-800-238-3600

Printed in U.S.A.

Correct Disposal of this Product



RECYCLE

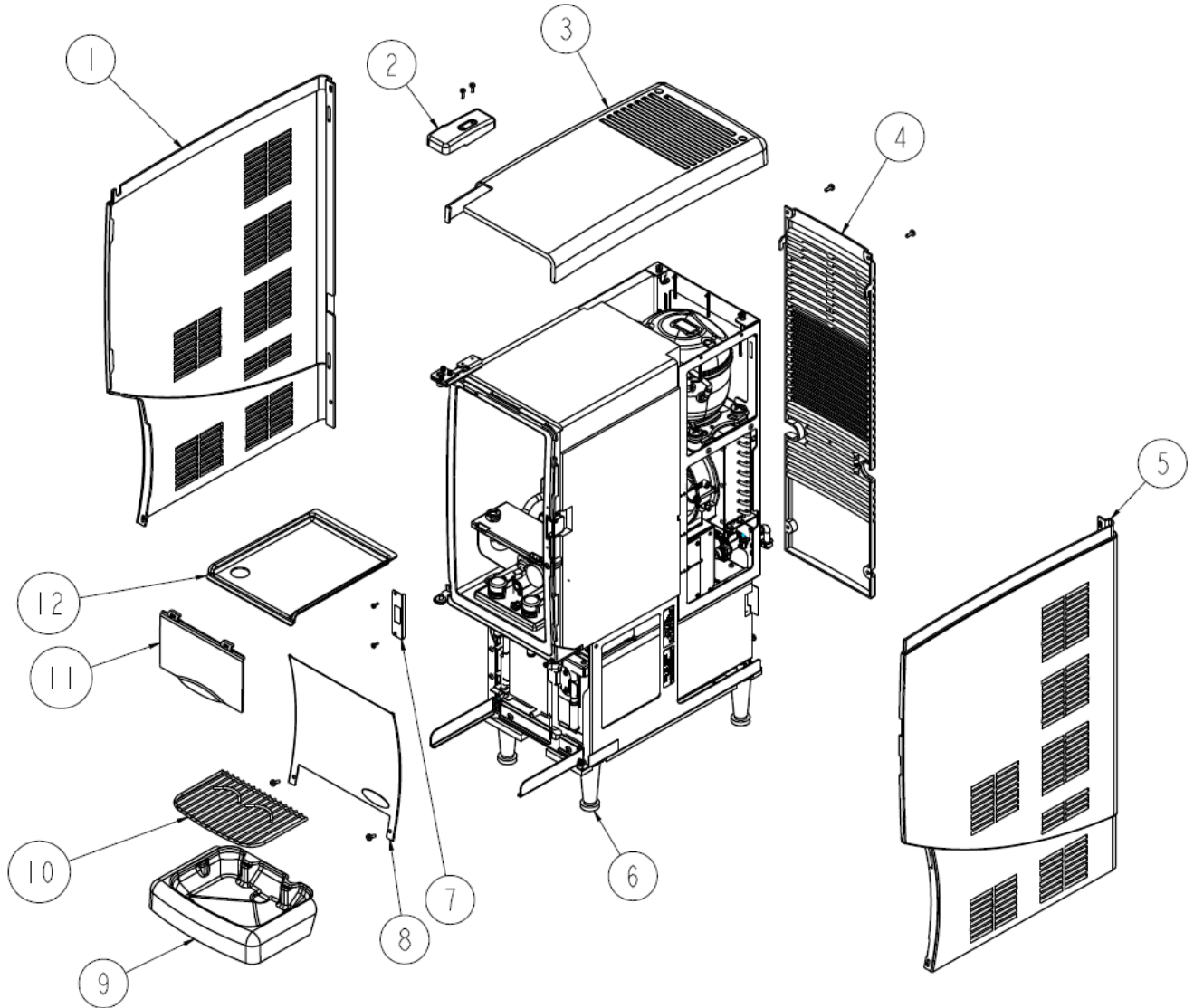
This marking indicates that this product should not be disposed with other household wastes throughout the EU. To prevent possible harm to the environment or human health from uncontrolled waste disposal, recycle it responsibly to promote the sustainable reuse of material resources. To return your used device, please use the return and collection systems or contact the retailer where the product was purchased. They can take this product for environmental safe recycling.



TABLE OF CONTENTS

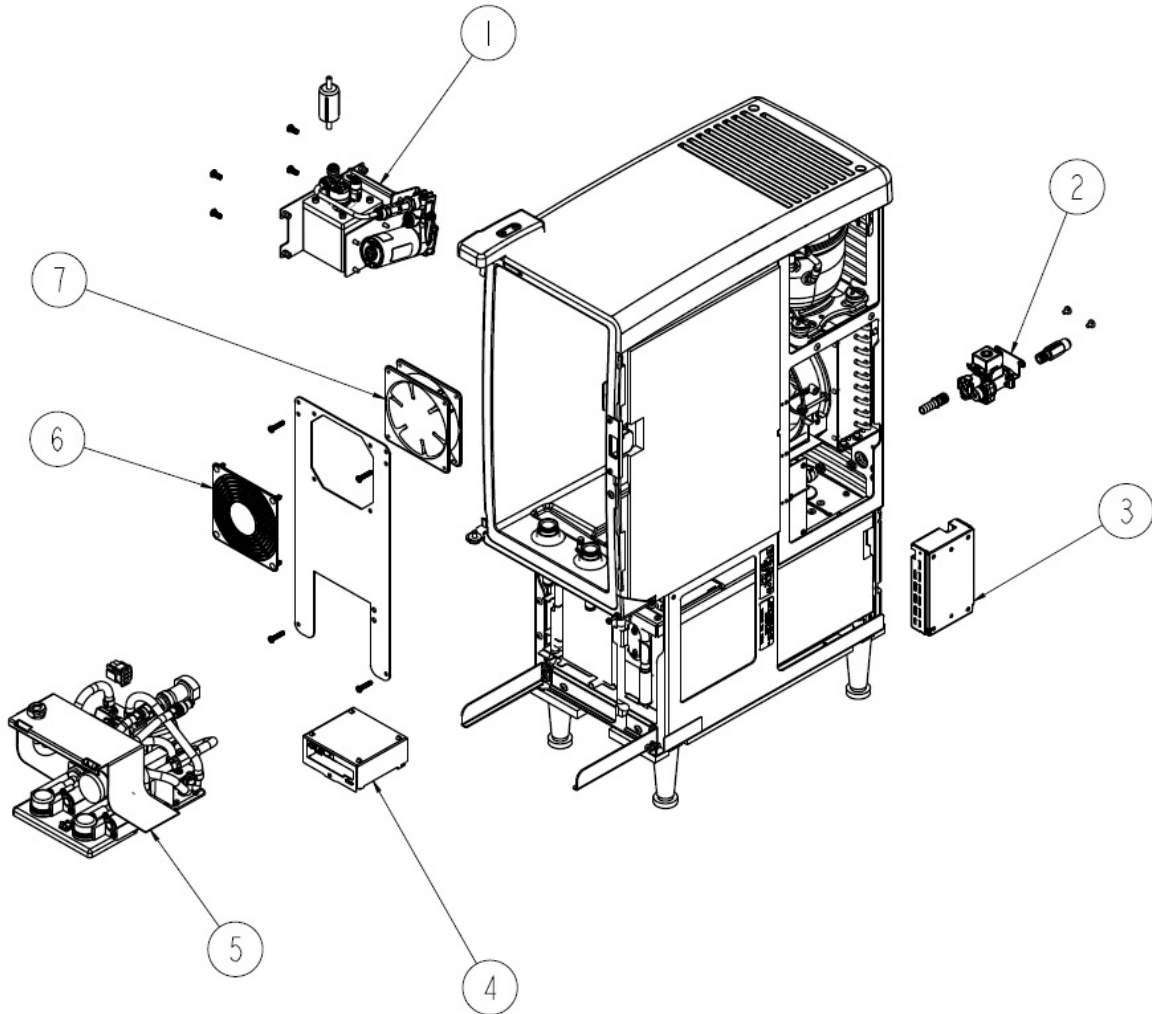
Cladding Final Assembly	1
Cabinet Final Assembly	2
Refrigeration Frame Assembly	3
Door Reference Assembly	4
Product Delivery System	5
Air Compressor Assembly	6
Recommended Spare Harnesses	7

CLADDING FINAL ASSEMBLY



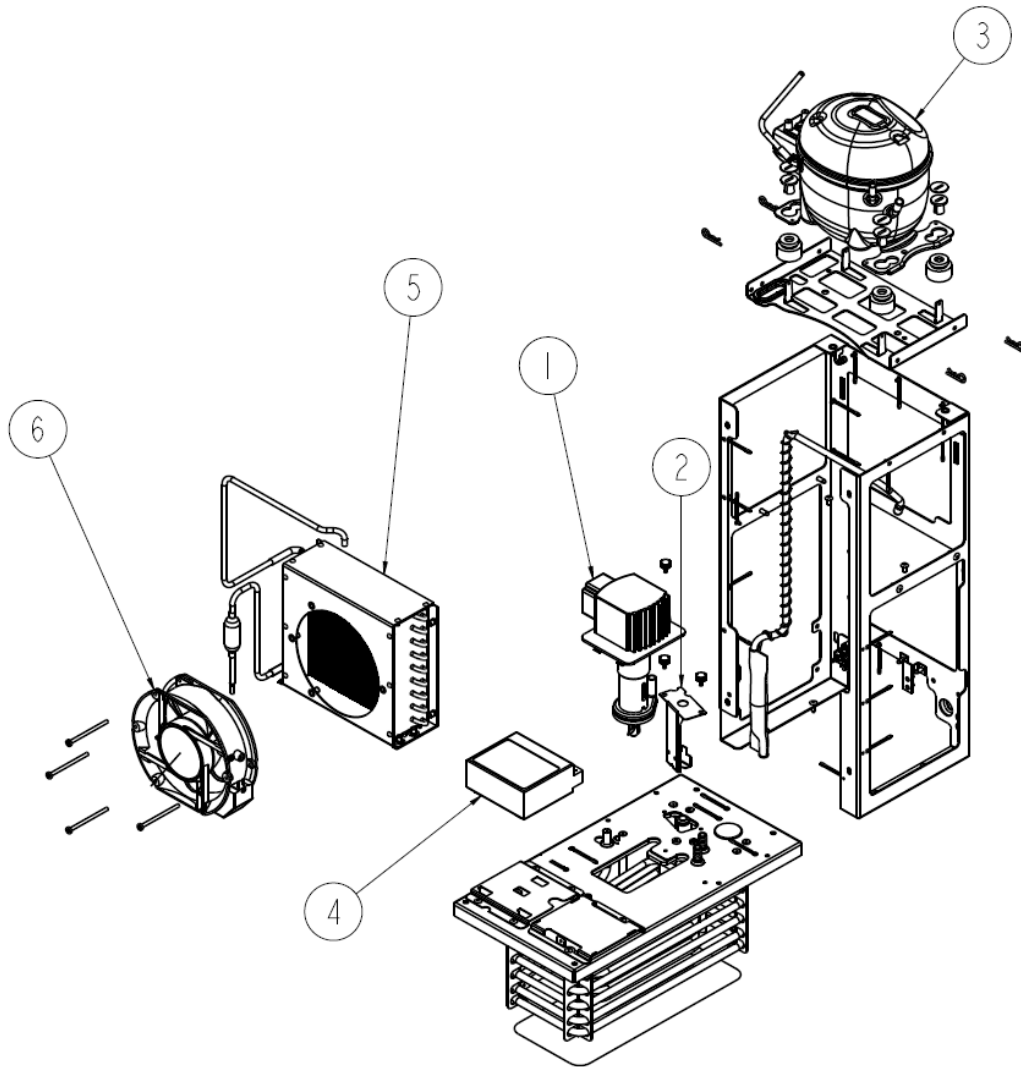
ITEM	PART NO.	DESCRIPTION
1	620054876	PANEL LEFT SIDE WITH LOUVERS
2	620047969	COVER TOPHINGE
3	620048898	PANEL TOP 2 FLAVOR
4	620050923	PANEL BACK 2 FLAVOR
5	620054875	PANEL RIGHT SIDE WITH LOUVERS
6	37958	LEG LEVEL 4"
7	720201440	DOOR LATCH STRIKE PLATE
8	620048648	PANEL SPLACH GUARD 2 FLAVOR
9	620049855	DRIP-TRAY 2 FLAVOR BLACK
10	620708562	CUP-REST 2 FLAVOR BLACK
11	620069835	COVER MINI BIB PUMP ASSEMBLY
12	620069836	PAN MINI BIB TRAY

CABINET FINAL ASSEMBLY



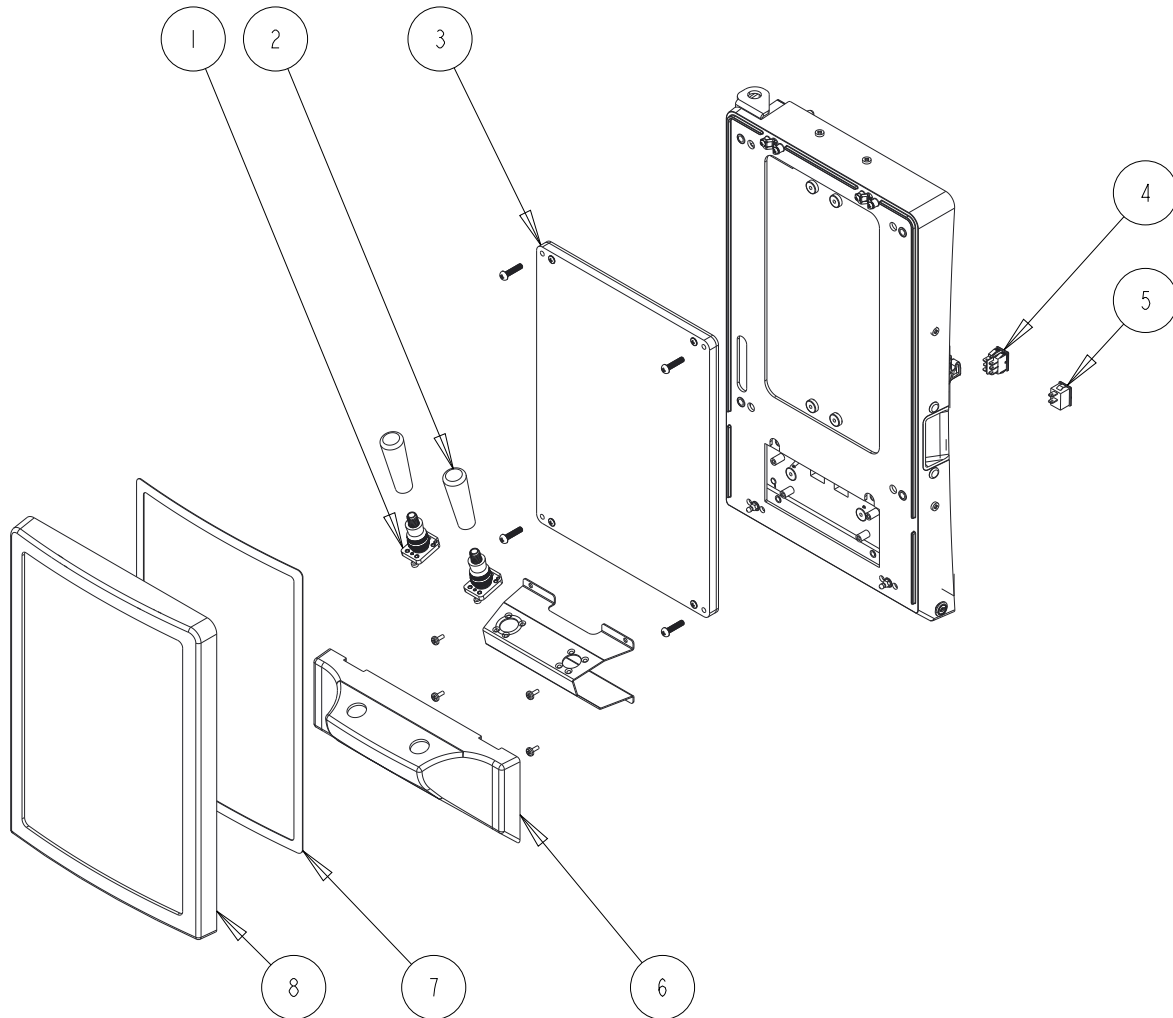
ITEM	PART NO.	DESCRIPTION
1	620069833	SYSTEM AIRCOMPRESSOR
2	629097837	KIT MINI INLET WATER SOLENOID
3	620069598	POWER SUPPLY 24VDC
4	629097838	KIT MINI SYSEY PCBA MOUNT
5	620069593	PLATFORM MINI PUMP ASSEMBLY
6	620047512	GUARD FAN EB9000 & 4000 SERIES
7	720506104	FAN-ASSY 115/60/50 4.7X4.7X1.0

REFRIGERATION FRAME ASSEMBLY



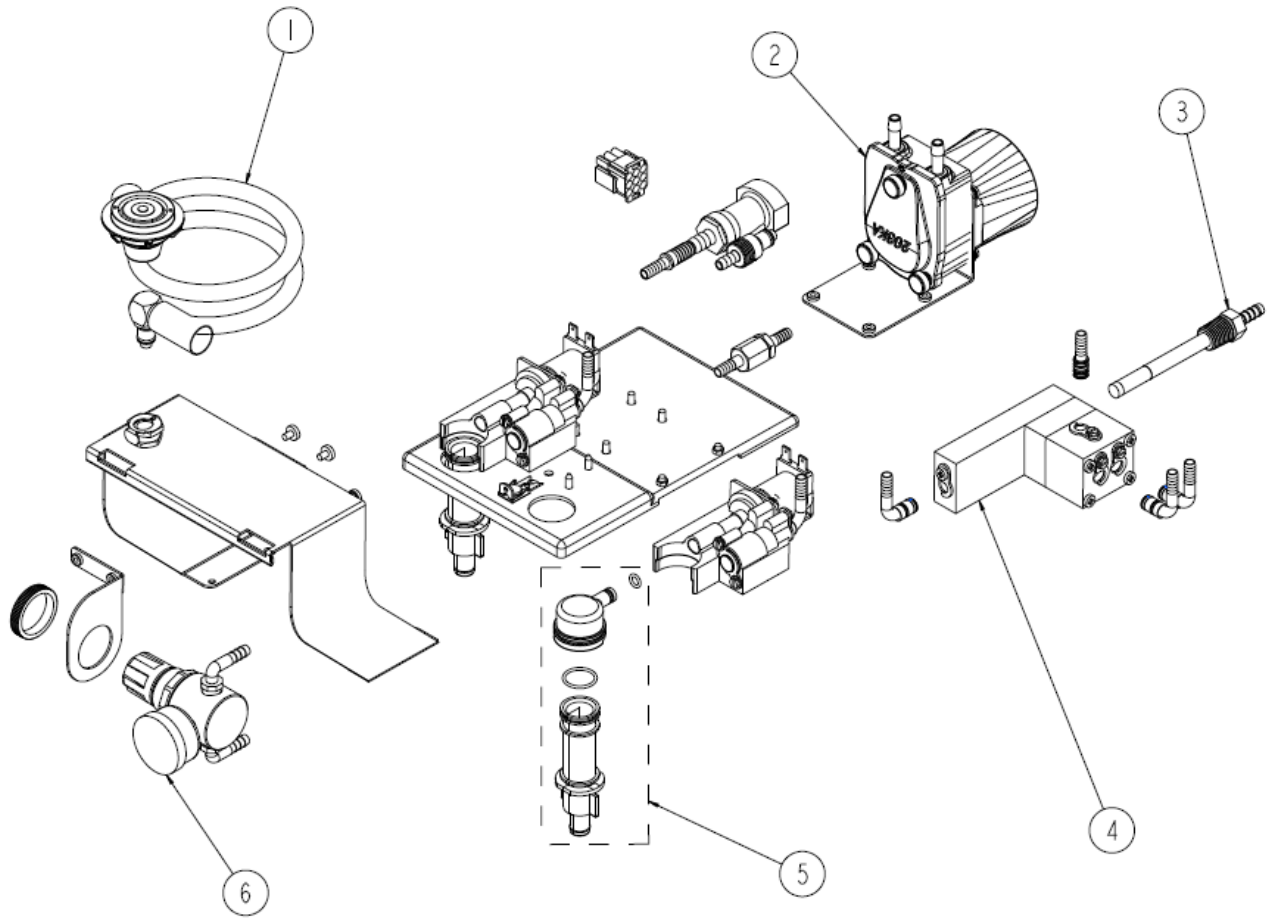
ITEM	PART NO.	DESCRIPTION
1	620042742	AGITATOR MOTOR ASSEMBLY 115V QUEST
2	729011222	KIT SERVICE ICE PROBE ASSEMBLY QUEST 2 FLAVOR
3	39496	COMP 115V/60HZ QST 2/4FL TCMSEH
4	620071645	CONTROL ICE BANK GLOBAL 120/240V SMPS
5	620073089	CONDENSER QUEST R290
6	620073088	FAN 120 V/60 HZ LPT15

DOOR REFERENCE ASSEMBLY



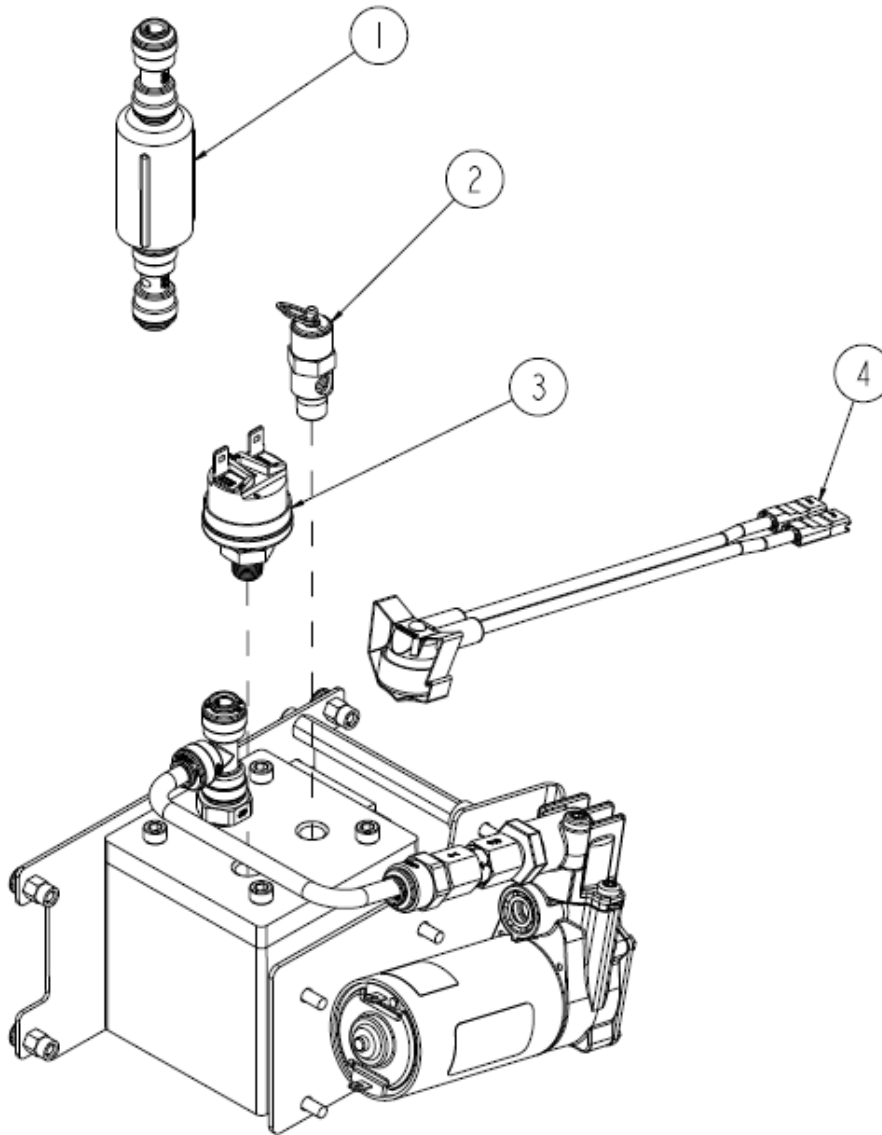
ITEM	PART NO.	DESCRIPTION
1	629097839	KIT MINISYSYEM MICRO SWITCH
2	620065669	HANDLE, BLACK TAP 3/8-16 UNC
3	620069821	LED 24V ACRYLIC DISPLAY
4	620070522	MOTOR SWITCH ROCKER SEALED DPDT
5	720301104	LED SWITCH ROCKER SEALED SPST
6	620070543	SYSTEM TAPHANDLE WRAP
7	620070476-01	GRAPHIC- CNB MININITROPRO
8	629097840	KIT MINIREMOVEABLE GRAPHIC MERCHANDISER

PRODUCT DELIVERY SYSTEM



ITEM	PART NO.	DESCRIPTION
1	620074012	HOSE ASSEMBLY BIB CNB
2	620070333	PUMP PERISTALTIC 24V A-60-G 15#
3	620063793	FITG- SPARGER INJECTION
4	629097836	KIT MINISYSYEM RATIO MIXING MANIFOLD
5	629097834	KIT MINI DISPENSER NOZZLE
6	620067881	GAS REGULATOR WITH GAUGE

AIR COMPRESSOR ASSEMBLY



ITEM	PART NO.	DESCRIPTION
1	629097835	KIT MINIPMSERVICE
2	620071046	VALVE RELIEF 90 PSI/8 NPT
3	620071047	SWITCH PRESSURE 60-80 PSI/8 NPT
4	620070977	TUBE MOUNT THERMAL OVERLOAD



RECOMMENDED SPARE HARNESSSES

ITEM	PART NO.	DESCRIPTION	QTY.
1	620049320	HARN COMBINED COMPRESSOR CONDENSER	1
2	620069608	HARN POWER SUPPLY OUTPUT	1
3	620069609	HARN COMP SYSTEM	1
4	620069601	HARN CABINET DOOR	1
5	620069602	HARN DOOR DISPENSE SWITCH	1
6	620069603	HARN DOOR LED MERCHANDISER	1
7	620069600	HARN DC CABINET TO RELAY	1
8	620069610	HARN PLATFORM MINI PUMP	1

